

Vapour Recovery Hose Reels are only available from ELAFLEX production. They are equipped with a COAX hose and ZVA Slimline 2 GR nozzle.

Hose Reels 'Compact Line VR' for active vapour recovery with automatic spring-loaded rewind system suitable for COAX dispensing hose assemblies up to 20m. The small and compact design makes it easy to handle. Our COAX adaptor (splitter) ZAF2.1 cr is attached outside the disc to provide an easy connection to the Stage II vapour recovery system. We optionally supply our ZVA Slimline 2 GR nozzle with a CSB21 safety break.

All Elaflex components are certified in combination with vacuum pumps and vapour control units of all the major manufacturers*).

Suitable for gasoline fuels (also with ethanol content).

*) Please check the installation requirements for the vapour recovery pumps.

MATERIALS

Frame available in polyester powder coated carbon steel UV resistant (on request: cataphoresis treatment or zinc plated base) or stainless steel (AISI 304 or AISI316L).

COLOURS



RAL 5017



RAL 3002



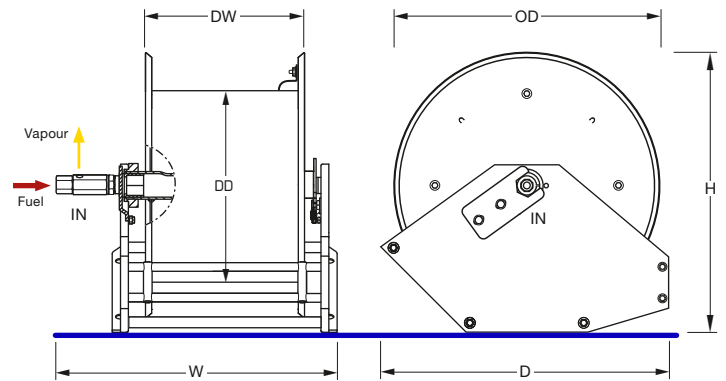
Special Colours
(on request)

MOUNTING POSITIONS

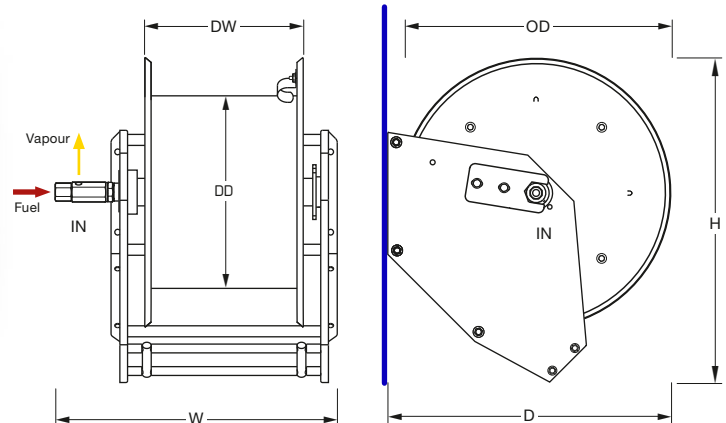
The specially designed side plates allow the installation on plain (Pos. A) or vertical surfaces (Pos. B) without further modification.











Mounting Position A: Plain Surface



Mounting Position B: Vertical Surface



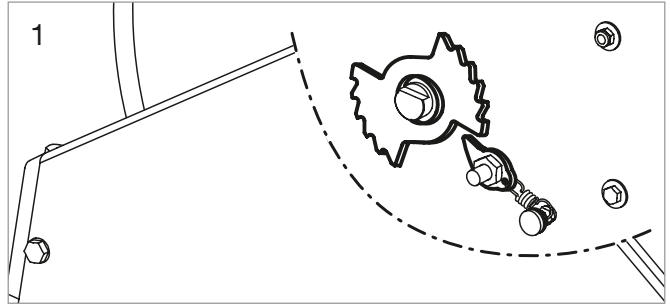
 COAX Hose Assembly max. Length		 Connections		 Drum Diameter	 Disc Diameter	 Dimensions Position A		 Dimensions Position B		 Weight	 Standard Part Number
Length	DN	IN	DD Ø (mm)	OD Ø (mm)	W x D x H (mm)		W x D x H (mm)		kg	Type	
20 m	DN 21/8	1" bsp female/ 1/4" bsp female	350	490	416 x 533 x 517		416 x 517 x 591		21	HR CL VR	

Please contact our sales team for further information.

FEATURES

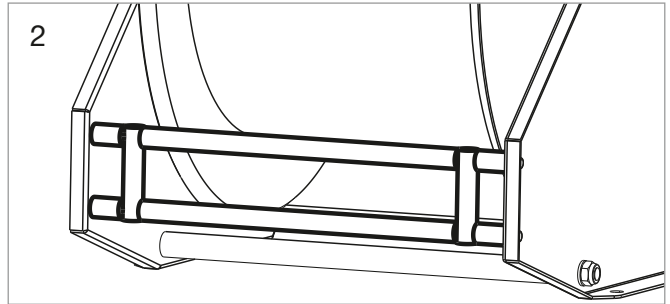
DRUM STOP MECHANISM (1)

All our spring rewind hose reels are equipped with a durable Drum Stop of stainless steel or steel FE 510 OR to avoid the accidental hose rewinding. It is also not burdening the operator by permanently pulling the hose against spring force.



HOSE GUIDE (2)

The static Hose Guide is integrated in the frame with durable PVC or stainless steel rollers. The bearings are maintenance free self-lubricating. The Hose Guide for 'Compact Line VR' is provided in low position as standard.



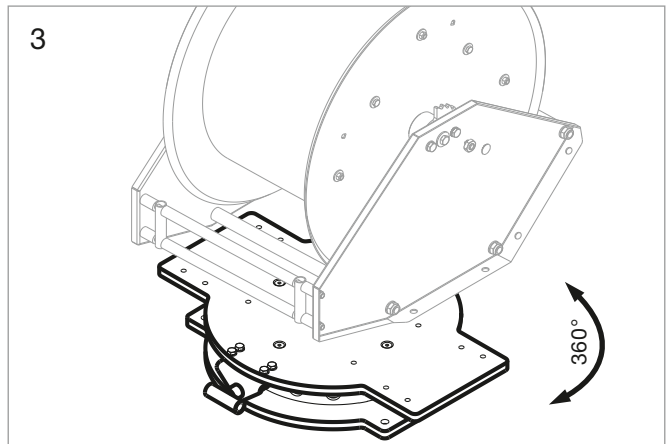
ACCESSORIES

SWIVEL SUPPORT FOR PLAIN INSTALLATION (3)

The Swivel support is suitable for turning the hose reel in the required direction.

It is used for a plain surface (Pos. A) and allows a free rotation of the reel on its central pin enabling rotations up to 360°.

The integrated lock can fix the reel in the chosen position in 20° steps.



HOSE STOPS (4)

The hose reels can be supplied with a Hose Stop. It prevents the complete rewinding of the hose and can be placed anywhere along the hose assembly.

