

ELAFLEX Hose Reels are supplied as a complete customised package incl. our hoses, couplings and nozzles.

Hose Reels 'Compact Line 50' with automatic spring-loaded rewind system, used for retraction of Elaflex hoses up to 25 m in max DN 50.

The robust construction and reinforced spring make this reel very durable and for heavy duty and intensive use, also under rough conditions.

Suitable for a wide range of media, e.g. gasoline, diesel, aviation fuels, urea solution (AdBlue®), detergents, solvents, oils, water, gases and others. For example: HD 50 with ZVF 50 for aviation, UTL 50 with DDC coupling for AdBlue® or FEP 50 with DDC coupling for chemicals.

MATERIALS

Frame: available in polyester powder coated carbon steel, UV resistant (on request: cathaphoresis treatment or zinc plated) or stainless steel (AISI 304 or AISI 316L).

Wet parts: available in carbon steel or stainless steel (AISI 304 or AISI 316L).

Swivel joint: available in zinc plated carbon steel, brass or stainless steel (AISI 303 / AISI 316L), in 90° or straight shape*).

Working pressure up to 200 bar*).

Temperature range -40° to +150°C*).

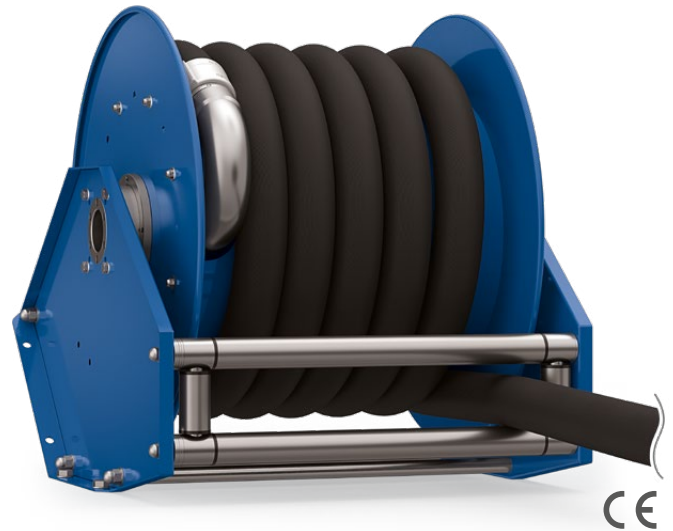
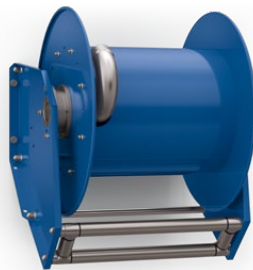
*) depending on materials

COLOURS

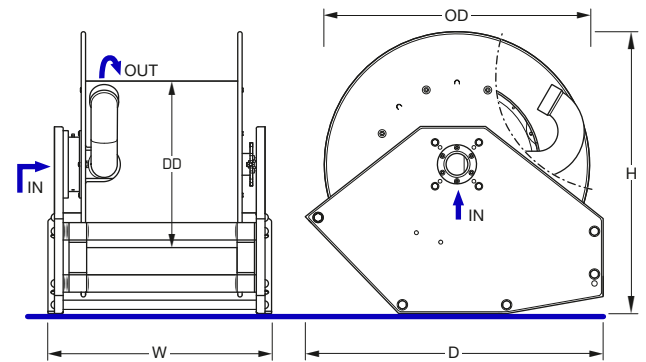


MOUNTING POSITIONS

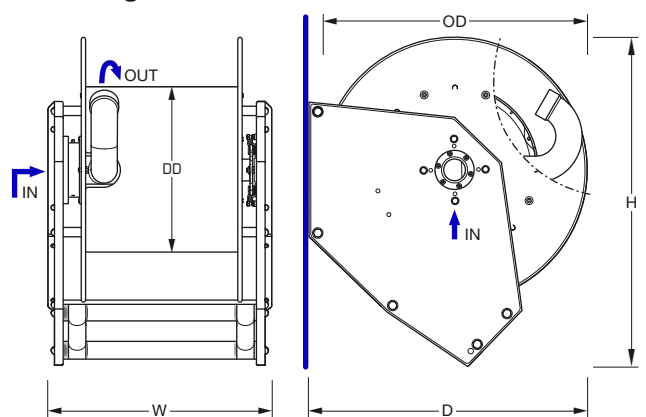
The specially designed side plates allow the installation on plain (Pos. A) or vertical surfaces (Pos. B) without further modification.



Mounting Position A: Plain Surface



Mounting Position B: Vertical Surface



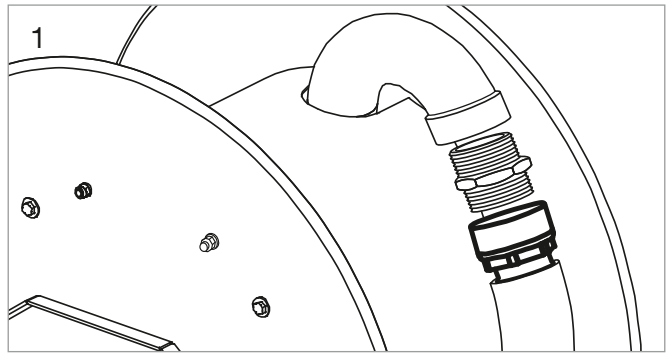
Recommended Hose		Connections	Drum Diameter	Disc Diameter	Dimensions Position A	Dimensions Position B	Weight	Standard Part Number
max. Length	max. DN	IN / OUT	DD Ø (mm)	OD Ø (mm)	W x D x H (mm)	W x D x H (mm)	kg	Type
7,5 m	DN 50	2" bsp female / 2" bsp female	383	610	415 x 685 x 650	414 x 640 x 760	47	HR CL 50 L7.5
10 m	DN 50	2" bsp female / 2" bsp female	383	610	515 x 685 x 650	515 x 640 x 760	50	HR CL 50 L10
15 m	DN 50	2" bsp female / 2" bsp female	383	610	625 x 685 x 650	625 x 640 x 760	56	HR CL 50 L15
20 m	DN 50	2" bsp female / 2" bsp female	383	610	715 x 685 x 650	715 x 640 x 760	68	HR CL 50 L20
25 m	DN 50	2" bsp female / 2" bsp female	383	610	775 x 685 x 650	775 x 640 x 760	70	HR CL 50 L25

Please contact our sales team to check capacity when smaller hose diameters are required.

FEATURES

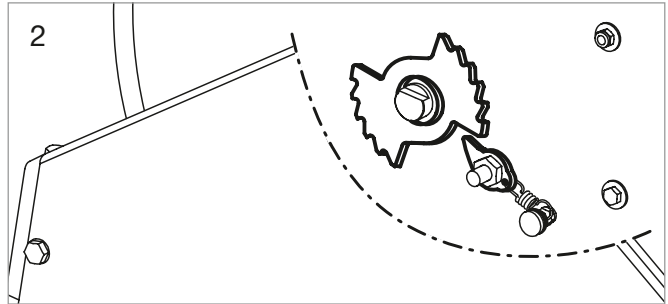
EASY INSTALLABLE HOSE ASSEMBLY (1)

The hose reel is equipped with a threaded carbon steel or stainless steel elbow. To ease the installation of the hose a female threaded union nut shall be used on the hose. A double nipple is needed to connect the hose to the elbow.



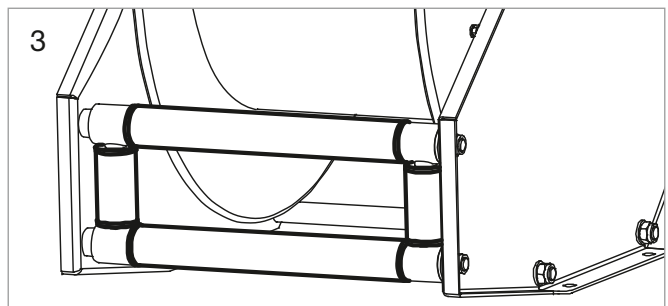
DRUM STOP MECHANISM (2)

All our spring rewind hose reels are equipped with a durable Drum Stop of stainless steel or steel FE 510OR to avoid the accidental hose rewinding. It is also not burdening the operator by permanently pulling the hose against spring force.



REINFORCED HOSE GUIDE (3)

The static Hose Guide is integrated in the frame with durable stainless steel rollers (\varnothing 40 mm). The bearings are maintenance free self-lubricating. The Hose Guide for 'Compact Line' is provided in low position as standard.



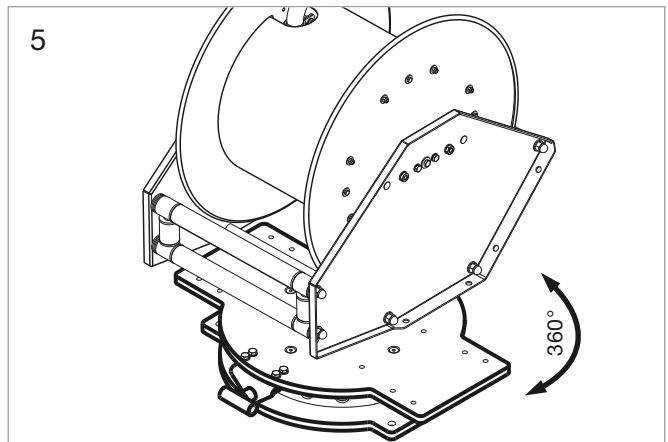
ACCESSORIES

SWIVEL SUPPORT FOR PLAIN INSTALLATION (5)

The Swivel Support is suitable for turning the hose reel in the required direction.

It is used for a plain surface (Pos. A) and allows a free rotation of the reel on its central pin enabling rotations up to 360° .

The integrated lock can fix the reel in the chosen position in 20° steps.



HOSE STOPS (6)

The hose reels can be supplied with a Hose Stop. It prevents the completely rewinding of the hose and can be placed anywhere along the hose assembly to the chosen of the hose length. Shape and dimension can vary according to the hose diameter.

